

# RN 150

Electric valves

## DESCRIPTION

Rain is very proud to introduce new versions of the well known family of the electric valves RN150.

Thanks to a long study of the fluid's dynamic this small dimension doesn't prejudice the loss of charge, that remains low until more than 35 liters per minute.

The wide range of possible combinations and the extremely competitive price, makes this valve economic and suitable for different kind of installations, in small and medium residential applications.

## TECHNICAL INFORMATION

- PA 6 30% fiberglass
- Single-piece diaphragm for reliable leak-free valve closing
- Self cleaning stainless-steel metering pin
- Stainless-steel diaphragm differential spring for smooth closing
- Solenoid certificate CE, IP 68 9 PN12 tested piece by piece at 14 bar
- Bleed handle for manual opening with internal bleed
- Energy efficient solenoid 0,2 amp, 4,8 VA
- Standard solenoid: 24 VAC
- Available solenoid 12 VDC; 24 VDC; 110 VAC; 9 (6-40) VDC Latching
- Flow Control

## OPERATING CONDITIONS

- Pressure: min 1.0 bar - max 12.0 bar
- Temperature: +4° C/70° C
- Flow rate: from 20 l/min to 50 l/min



1. BLEED HANDLE FOR MANUAL OPENING



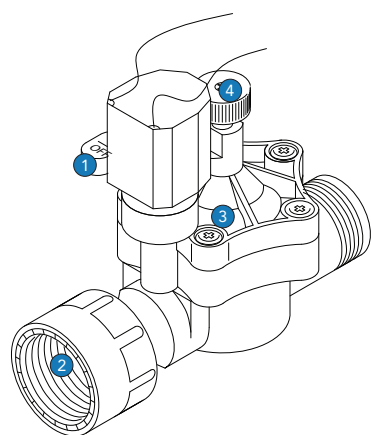
3. SINGLE PIECE CO-INJECTED DIAPHRAGM



2. THREADS AVAILABLE: MALE, FEMALE, UNION

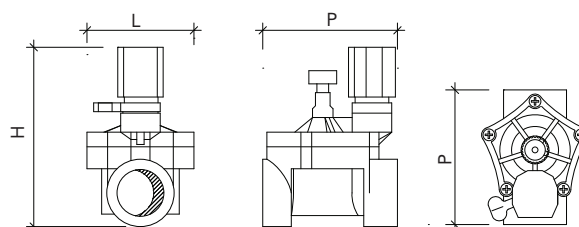


4. FLOW CONTROL AVAILABLE



| RN 150 - LOSS OF CHARGE (in bar) |      |      |      |
|----------------------------------|------|------|------|
|                                  | 1/2" | 3/4" | 1"   |
| 20 l/min                         | 0.35 | 0.35 | 0.30 |
| 30 l/min                         | 0.52 | 0.52 | 0.45 |
| 40 l/min                         | 0.70 | 0.60 | 0.60 |
| 50 l/min                         | 0.80 | 0.80 | 0.70 |
| 60 l/min                         | 0.80 | 0.80 | 0.70 |
| 70 l/min                         | 0.85 | 0.85 | 0.75 |
| 80 l/min                         | 0.95 | 0.95 | 0.85 |
| 90 l/min                         | 1.05 | 1.05 | 0.95 |

| Code        | Models                   | Box Qty | Box - cm |
|-------------|--------------------------|---------|----------|
| 100.4600710 | RN 150 3/4" M 24VAC      | 24      | 32x31x26 |
| 100.4600910 | RN 150 1" M 24VAC        | 24      | 32x31x26 |
| 100.4800710 | RN 150 3/4" F 24 VAC     | 24      | 32x31x26 |
| 100.4800910 | RN 150 1" F 24 VAC       | 24      | 32x31x26 |
| 100.4500511 | RN 150 1/2" F W/FC 24VAC | 24      | 32x31x26 |
| 100.4400711 | RN 150 3/4" M W/FC 24VAC | 24      | 32x31x26 |
| 100.4400911 | RN 150 1" M W/FC 24VAC   | 24      | 32x31x26 |
| 100.4500711 | RN 150 3/4" F W/FC 24VAC | 24      | 32x31x26 |
| 100.4500911 | RN 150 1" F W/FC 24VAC   | 24      | 32x31x26 |



| RN 150 - DIMENSIONS (in cm) |        |      |        |        |
|-----------------------------|--------|------|--------|--------|
|                             | 3/4" M | 1" M | 1/2" F | 3/4" F |
| H                           | 11.4   | 11.4 | 11.4   | 11.4   |
| P                           | 11.5   | 11.6 | 9.2    | 9.2    |
| L                           | 7.1    | 7.1  | 7.1    | 7.1    |

| RN 150 - DIMENSIONS (in cm) |      |          |          |
|-----------------------------|------|----------|----------|
|                             | 1" F | 1" M x U | 1" U x U |
| H                           | 11.4 | 11.4     | 11.4     |
| P                           | 9.2  | 12.8     | 14.1     |
| L                           | 7.1  | 7.1      | 7.1      |